



GIUNTI SINGOLI - INNESTO RAPIDO

Mod. HR: Cuscinetti a rullini

SINGLE JOINTS - QUICK RELEASE

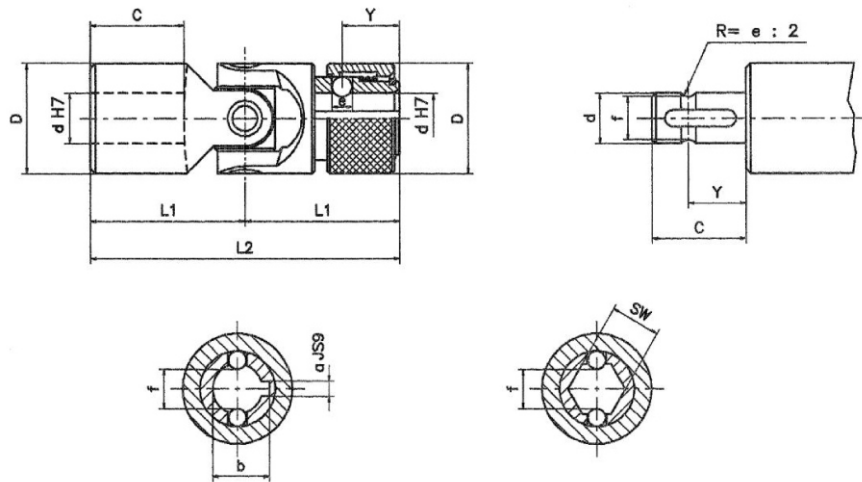
Type HR: Needle Roller Bearings

serie
series

«H»
(DIN 808)

● Giri max. 4000/min.
Max. speed 4000 R.P.M.

● Angolo max. 45°
Max. angle 45°



Mod. Type	d	D	L2	L1	C	Y	e	f	Codice / Code		a	b	Codice / Code		SW
—	—	—	—	—	—	—	—	—	—	—	—	—	—	—	—
03HR	10	22	62	31	17	11,5	4	8,7 (8)	SHOR 101C		3	11	SHOR 10SW		10 (9,06)
04HR	12	25	74	37	21	13,5	4	11 (10,5)	SHOR 121C		4	13,3	SHOR 12SW		12 (11,15)
05HR	14	25	74	37	21	13,5	4	13	SHOR 141C		5	15,3	SHOR 14SW		14
1HR	16	32	86	43	24	14	6,35	14,8	SHOR 161C		5	17,3	SHOR 16SW		16
2HR	18	36	96	48	28	19	8	16	SHOR 181C		6	19,8	SHOR 18SW		18
3HR	20	42	108	54	31	19	8	18	SHOR 201C		6	22,8	SHOR 20SW		20
4HR	22	45	120	60	34	20,5	10	20	SHOR 221C		6	24,8	SHOR 22SW		22
5HR	25	50	132	66	38	20,5	10	23	SHOR 251C		8	28,3	SHOR 25SW		25
6HR	30	58	166	83	49	25	10	28	SHOR 301C		8	33,3	SHOR 30SW		30